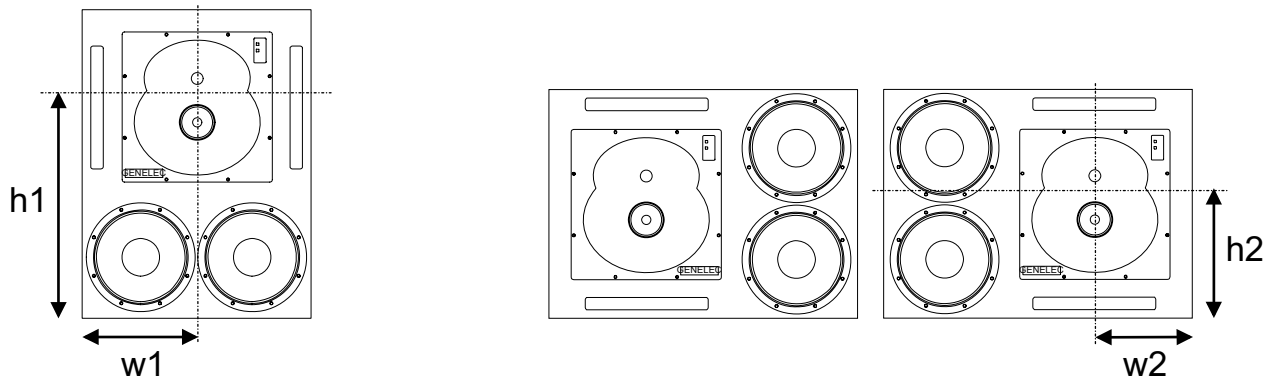
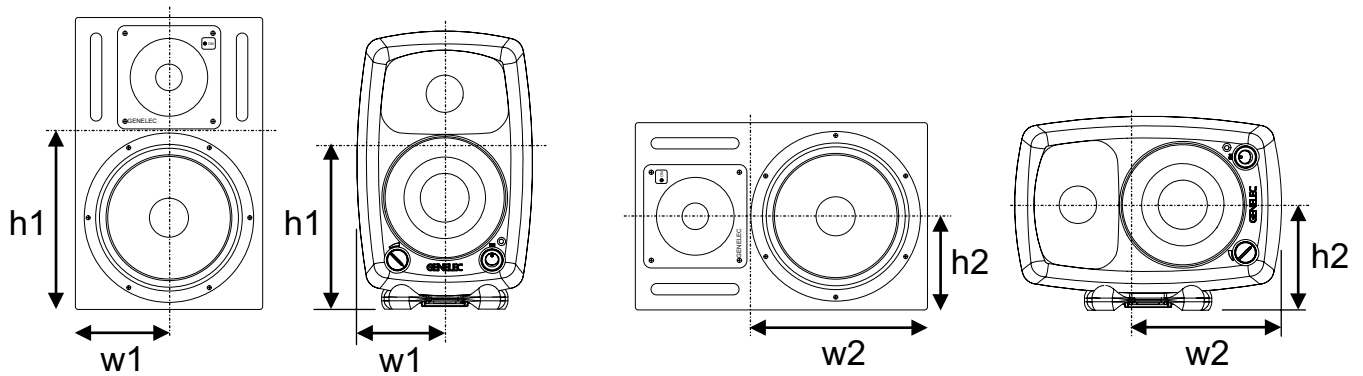


ACOUSTIC AXIS LOCATION - TABLE 1



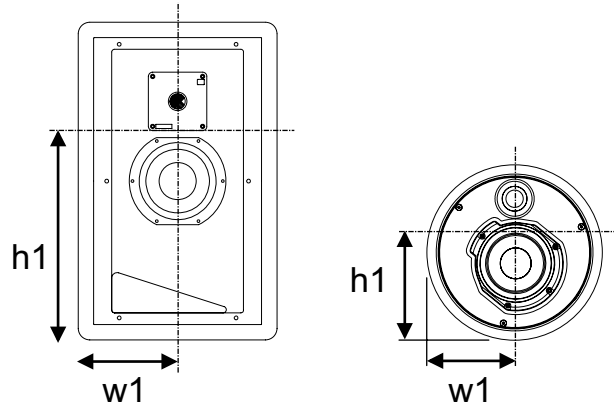
MODEL	VERTICAL MOUNTING	h_1	w_1	HORIZONTAL MOUNTING	h_2	w_2
1036A		858 mm 33 3/4"	480 mm 18 7/8"		508 mm 20"	350 mm 13 3/4"
1035B		783 mm 30 7/8"	410 mm 16 1/8"		438 mm 17 1/4"	350 mm 13 3/4"
HT330A		750 mm 29 1/2"	410 mm 16 1/8"		430 mm 16 15/16"	320 mm 12 5/8"
HT324A		660 mm 26"	350 mm 13 3/4"		390 mm 15 3/8"	270 mm 10 11/16"
HT324AC		627 mm 24 11/16"	245 mm 9 5/8"		266 mm 10 1/2"	605 mm 23 13/16"
HT315B		650 mm 25 9/16"	240 mm 9 7/16"		282 mm 11 1/8"	202 mm 7 15/16"
HT320BC		510 mm 20 1/16"	175 mm 6 7/8"		210 mm 8 1/4"	475 mm 18 11/16"
HT312B		540 mm 21 1/4"	200 mm 7 7/8"		230 mm 9 1/16"	170 mm 6 11/16"

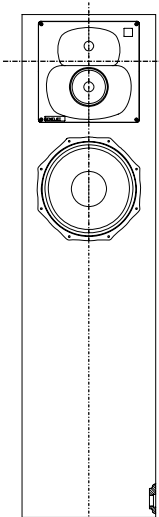
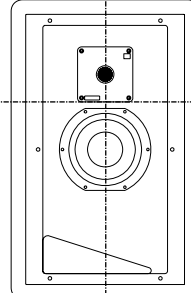
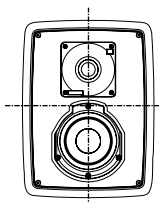
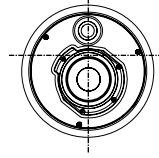
ACOUSTIC AXIS LOCATION - TABLE 2



MODEL	VERTICAL MOUNTING	h1	w1	HORIZONTAL MOUNTING	h2	w2
HT210B		290 mm 11 7/16"	160 mm 6 5/16"		160 mm 6 5/16"	290 mm 11 7/16"
HT208B		235 mm 9 1/4"	125 mm 5"		125 mm 5"	235 mm 9 1/4"
HT206B		200 mm 7 7/8"	100 mm 3 15/16"		100 mm 3 15/16"	200 mm 7 7/8"
6020A		146 mm 5 3/4"	75 mm 2 15/16"	Horizontal mounting of the 6020A is not recommended		
6010A		120 mm 4 12/16"	60 mm 2 3/8"	Horizontal mounting of the 6010A is not recommended		

ACOUSTIC AXIS LOCATION - TABLE 3



MODEL	VERTICAL MOUNTING	h1	w1
AOW312B		1360 mm 53 17/32"	200 mm 7 7/8"
AIW26		394 mm 15 1/2"	187 mm 7 12/16"
AIW25		188 mm 7 13/32"	134 mm 5 9/32"
AIC25		177 mm 6 31/32"	142 mm 5 10/16"